

Newport 196 / Malibu 174




PHYSICAL PROPERTIES

Model: 196
 Width: 19 1/4" (489mm)
 Depth: 16 1/4" (413mm)
 Shipping Weight: 16 lbs (7.3 kg)
 Shipping Cube: 1.51 (0.04m³)


Model: 174
 Width: 17" (428mm)
 Depth: 14" (356mm)
 Shipping Weight: 14 lbs. (6.4 kg)
 Shipping Cube: 1.51 (0.04m³)

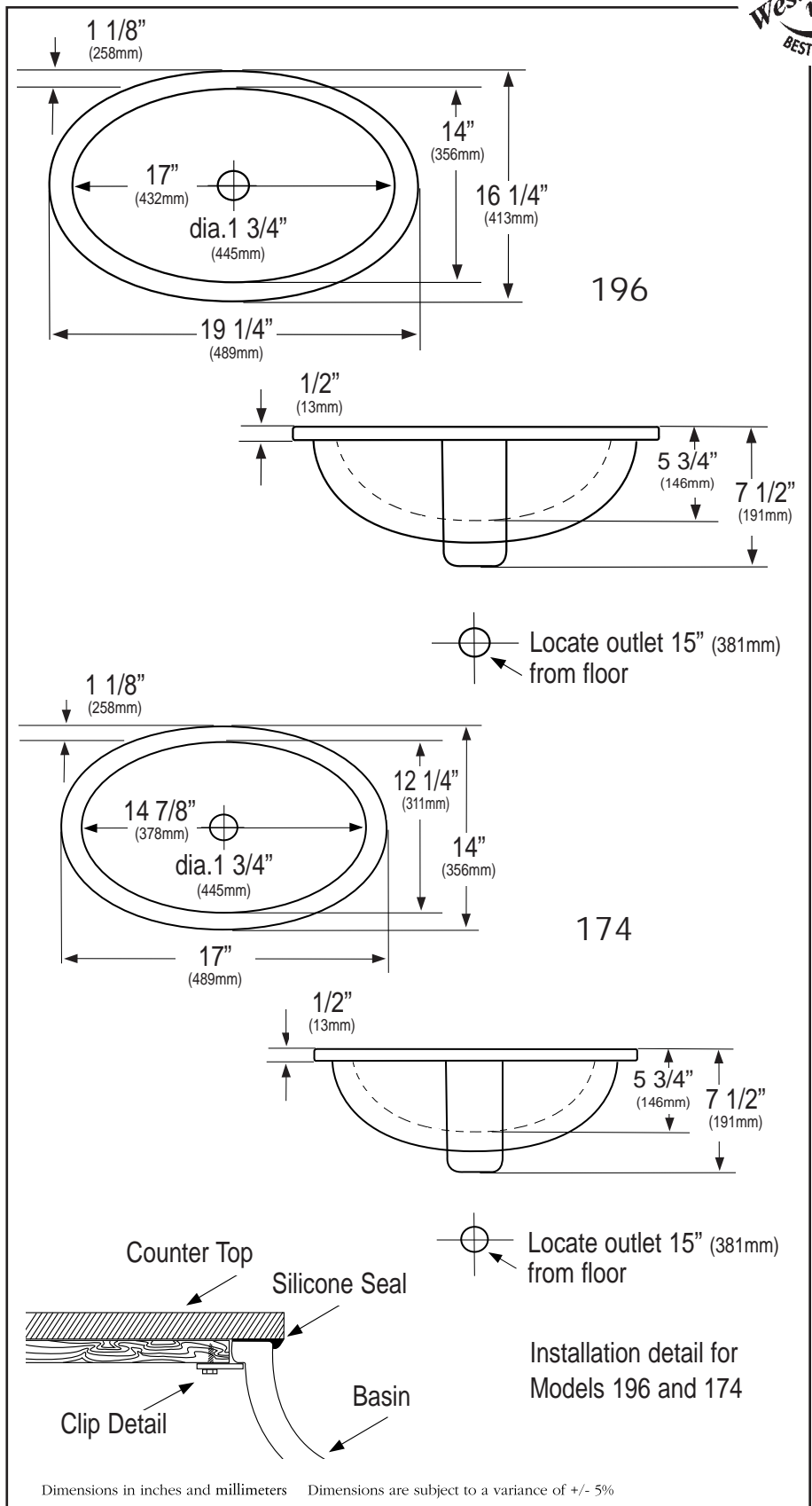
TECHNICAL NOTES:

196

- 19 1/4"x16 1/4" under counter mount lavatory
 - **Accu-tru™** top trim for easier installation.
 - Center drain position eliminates faucet splash.
 - Available in Ivory Bone, Western White and Cashmere
 - Mounting clips or epoxy optional at slight additional cost.
 - **IAPMO® listed, CITY of LOS ANGELES NEW YORK STATE and  APPROVED .**
- Model #L196 -W, B, or C

174

- 17"x14" under counter mount lavatory
 - **Accu-tru™** top trim for easier installation.
 - Center drain position eliminates faucet splash.
 - Available in Ivory Bone and Western White.
 - Mounting clips or epoxy optional at slight additional cost.
 - **IAPMO® listed, CITY of LOS ANGELES NEW YORK STATE and  APPROVED .**
- Model #L174-W or B



Dimensions in inches and millimeters Dimensions are subject to a variance of +/- 5%



WP Industries, Inc.

Toll Free: 877-WPWORKS

email: info@wpindustries.com / website: www.wpindustries.com

US Sales and Service

Canadian Sales

Phone 562.229.0910

Phone 604.688.2464

Fax 562.229.0930

Fax 604.688.0097